

AC/DC converter



Micro SMPS

www.easypower.in

AC/ DC converter

Features



- **Universal Input : 110- 260 VAC**
- **Operating Temperature Range : 0°C - +50°C**
- **High isolation voltage up to 1kV**
- **Regulated output, low ripple and noise**
- **High efficiency, high reliability**

SO5V2000 Micro SMPS – a compact size power converter offered by *EASY POWER*. It features universal input voltage, taking AC/DC voltage, low power consumption, high reliability, and safer isolation.

Input Specification					
Item	Operating condition	Min.	Typ.	Max.	Unit
Input Voltage Range	AC input	110		260	VAC
Input Voltage Range	DC input	150		300	VDC
Input frequency		50		50	Hz
Leakage current		0.1 mA RMS typ. 230 VAC/50 Hz			
Recommended external input fuse		1A/ 250V, slow fusing, necessary.			

Output Specification					
Item	Operating conditions	Min.	Typ.	Max	Unit
Output voltage accuracy	5V output	-	±0.2	-	%
Line regulation	Full load	-	±0.5	-	
Load regulation	0% - 100% load	-	±1	-	
Ripple & Noise	20 MHz bandwidth (Pk – Pk) value	-	50	100	mV
Output current		-	1800	2000	mA
Temperature drift coefficient		-	±0.02	-	%/°C
Min Load		0	-	0	%
Isolation voltage – Input voltage	Test time: 1min	1000	-	-	VAC
Operating Temperature		0	-	+50	°C
Storage Temperature		0	-	+60	°C
Storage Humidity		-	-	90	%RH
Welding Temperature	Wave soldering	260 ± 5°C; time 5 – 10s			
	Manual welding	360 ± 10 °C; time 3 – 5s			
Switching frequency		-	100	-	kHz

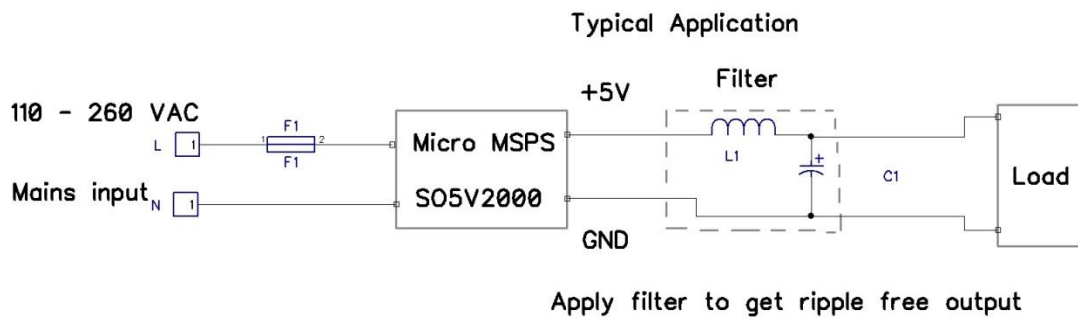
AC/DC converter



Micro SMPS

Physical Specification	
Casing Material	Black colour, heat resistant
Packaging Dimension	37.02 x 34 x 24.00
Weight	45 gm (Typ.)
Cooling method	Free air convection

Design reference



Model	L1(uH)	C1(uF)	F1
SO5V2000	47/3A	220/16V	1A/250, slow fusing necessary

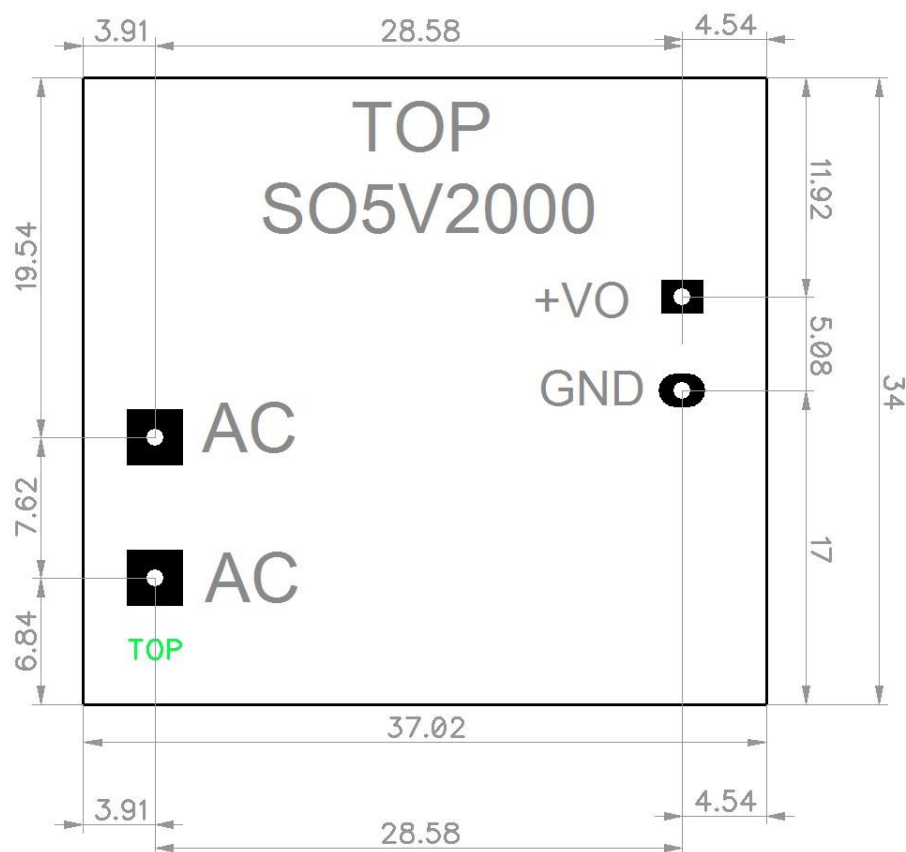
Note:

Output filtering capacitor is electrolytic capacitor: it recommended applying electrolytic capacitor with high frequency and low resistance.

AC/DC converter

Micro SMPS

Footprint:



All dimensions are in **millimetre**.

Product height is of 24 mm

Product width is of 34 mm

Product length is of 37.02 mm