

AC/DC converter



Micro SMPS

www.easypower.in

AC/ DC converter



- **Universal Input: 110- 260 VAC**
- **Dual Output: 5-12 VDC**
- **Full Isolation 1kV**
- **PCB mountable**
- **Compact IP Protected**

SO12V5300 Micro SMPS – a compact size power converter offered by *EASY POWER*. It features universal input voltage, taking AC/DC voltage, low power consumption, high reliability, and safer isolation.

Input Specification					
Item	Operating condition	Min.	Typ.	Max.	Unit
Input Voltage Range	AC input	110		260	VAC
Input Voltage Range	DC input	270		300	VDC
Input frequency		50		50	Hz
Leakage current		0.1 mA RMS typ. 230 VAC/50 Hz			
Recommended external input fuse		1A/ 250V, slow fusing, necessary.			

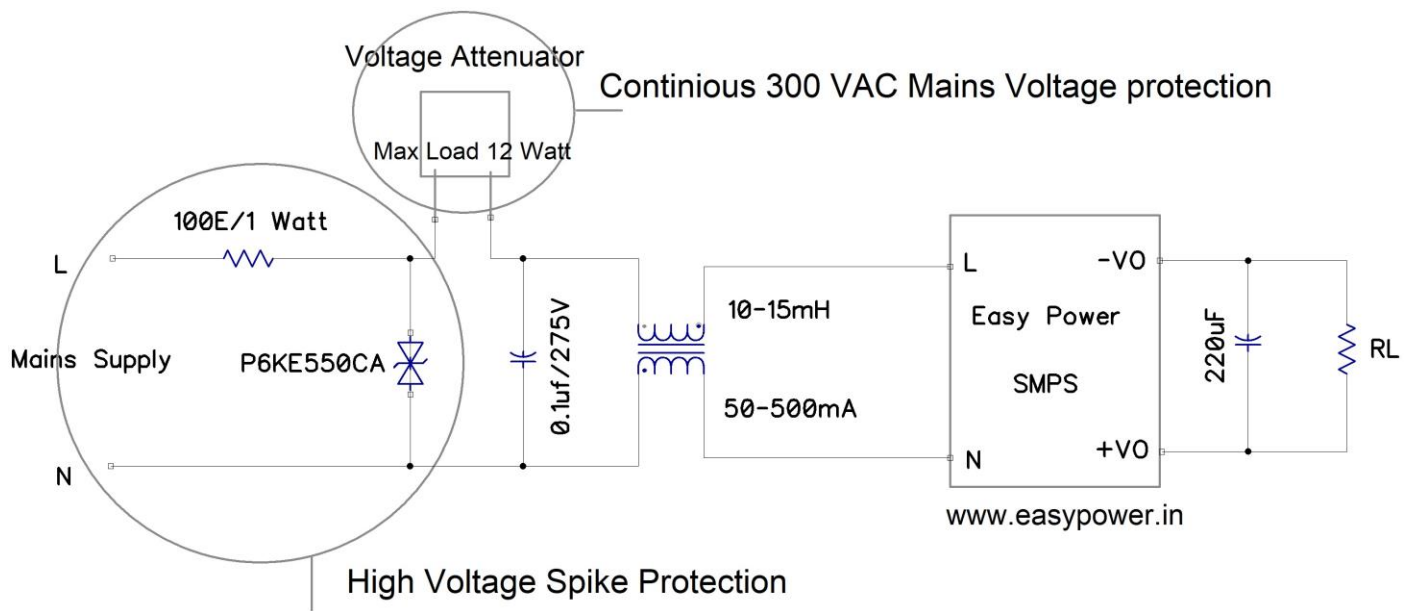
Output Specification					
Item	Operating conditions	Min.	Typ.	Max	Unit
Output voltage accuracy	12V, 5V output	-	±0.2	-	%
Line regulation	Full load	-	±0.5	-	
Load regulation	0% - 100% load	-	±0.5	-	
Ripple & Noise	20 MHz bandwidth (Pk – Pk) value	50	50	500	mV
Output Current	12 VDC	-	-	200	mA
	5 VDC	-	-	100	mA
Temperature drift coefficient		-	±0.02	-	%/°C
Min Load		0	-	0	%
Isolation voltage – Input voltage	Test time: 1min	1000	-	-	VAC
Operating Temperature		0	-	+50	°C
Storage Temperature		0	-	+60	°C
Storage Humidity		-	-	90	%RH
Welding Temperature	Wave soldering	260 ± 5°C; time 5 – 10s			
	Manual welding	360 ± 10 °C; time 3 – 5s			
Switching frequency		-	100	-	kHz

Physical Specification

Casing Material	Black colour, heat resistant
Packaging Dimension	37.00 x 24.00 x 21.00
Weight	22 gm (Typ.)
Cooling method	Free air convection

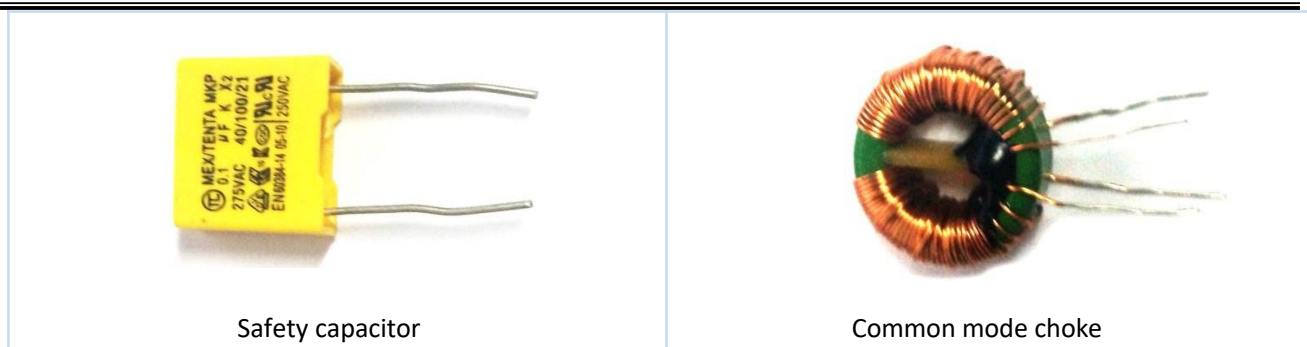
Design reference

Typical Application Diagram -



Component number/ Recommended device	Function	Value
Fuse	Protect the circuit from damage when the module is abnormal.	100E/1Watt
TVS Diode	Protect the module do not damaged in the accumulative surge	P6KE550CA
C1/Safety capacitor	Filtering safety protection (EMC certification)	0.1uF/275Vac

L1/Common mode choke	EMI filtering	Sense value 10-15mH, current 70-500mA
----------------------	---------------	---------------------------------------



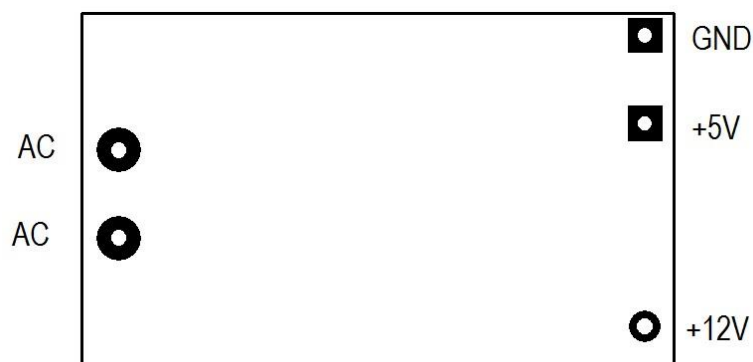
Safety capacitor

Common mode choke

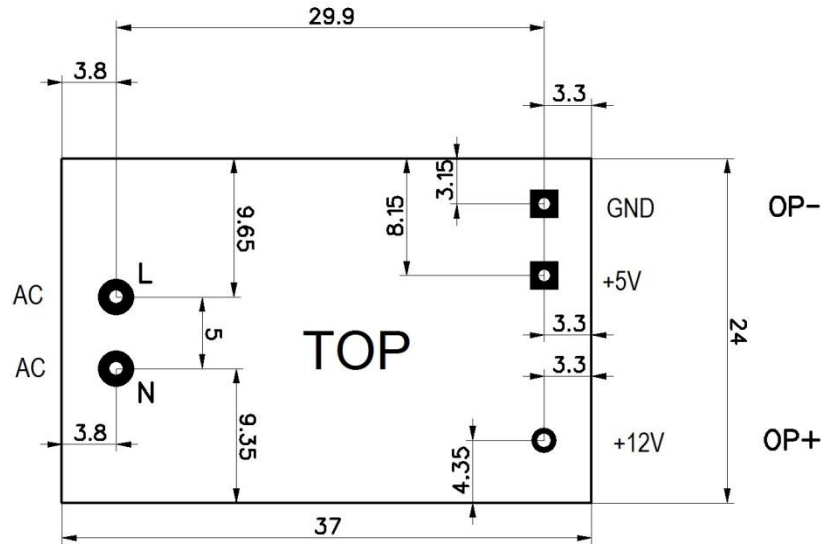
Output section

Component number/ Recommended device	Function	Value
C2/ Filtering capacitor	Filtering the output AC signal can be maintain within 30mV	Aluminum electrolytic capacitors, capacitance range 100-220uF, Pressure drop>75%
RL/ Load	Load	

Note : C2 filtering capacitor can bring down the output signal from the original 50mV to less than 30mV.



Footprint:



All dimensions are in mm

All Dimensions are in mm.

All holes are of 1 mm in size.

Product height is of 21 mm.

Product width is of 24 mm

Product length is of 37 mm.