

# Voltage Attenuator

Step Down AC

www.easypower.in

## AC to AC converter

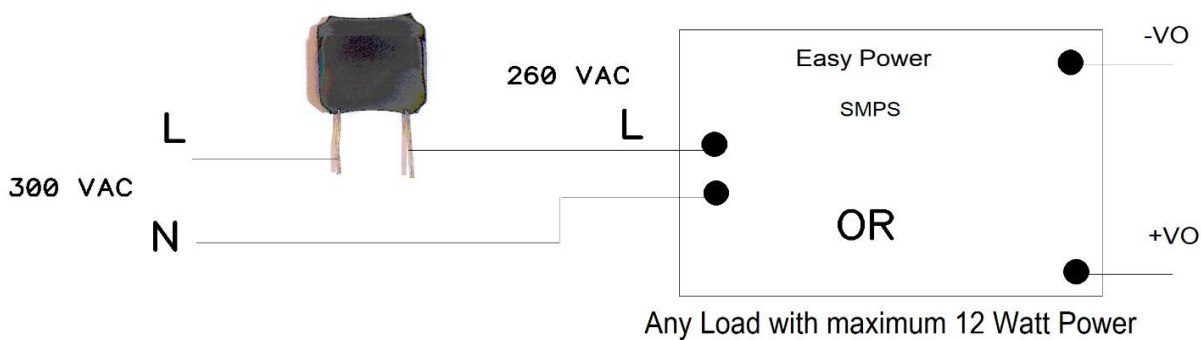
## Features



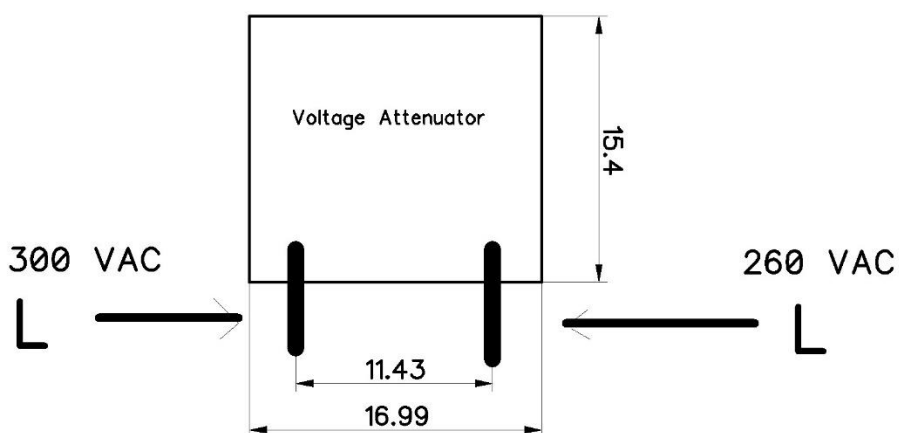
- Mains input Supply: 300 VAC
- Operating Watt: 12-watt Power Supply
- Mains output – 260 VAC
- 600 Watt Surge capacity, protects load.
- Excellent transient voltage clamping

Voltage Attenuator – a compact size ac to ac converter offered by *EASY POWER*.

## Typical application diagram –



## Foot Print -



All Dimension are in mm  
Hole Dimension is 1 mm.